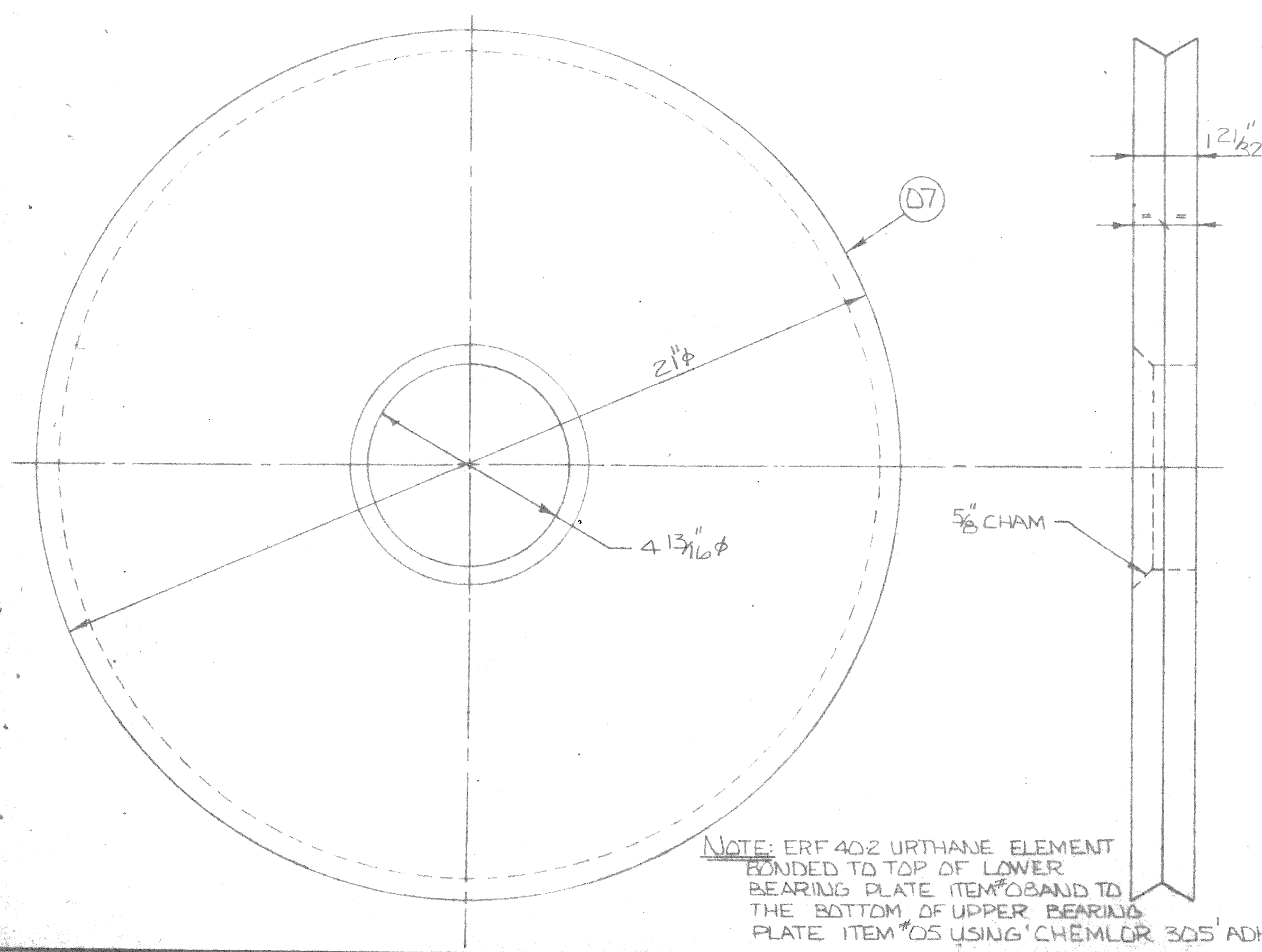
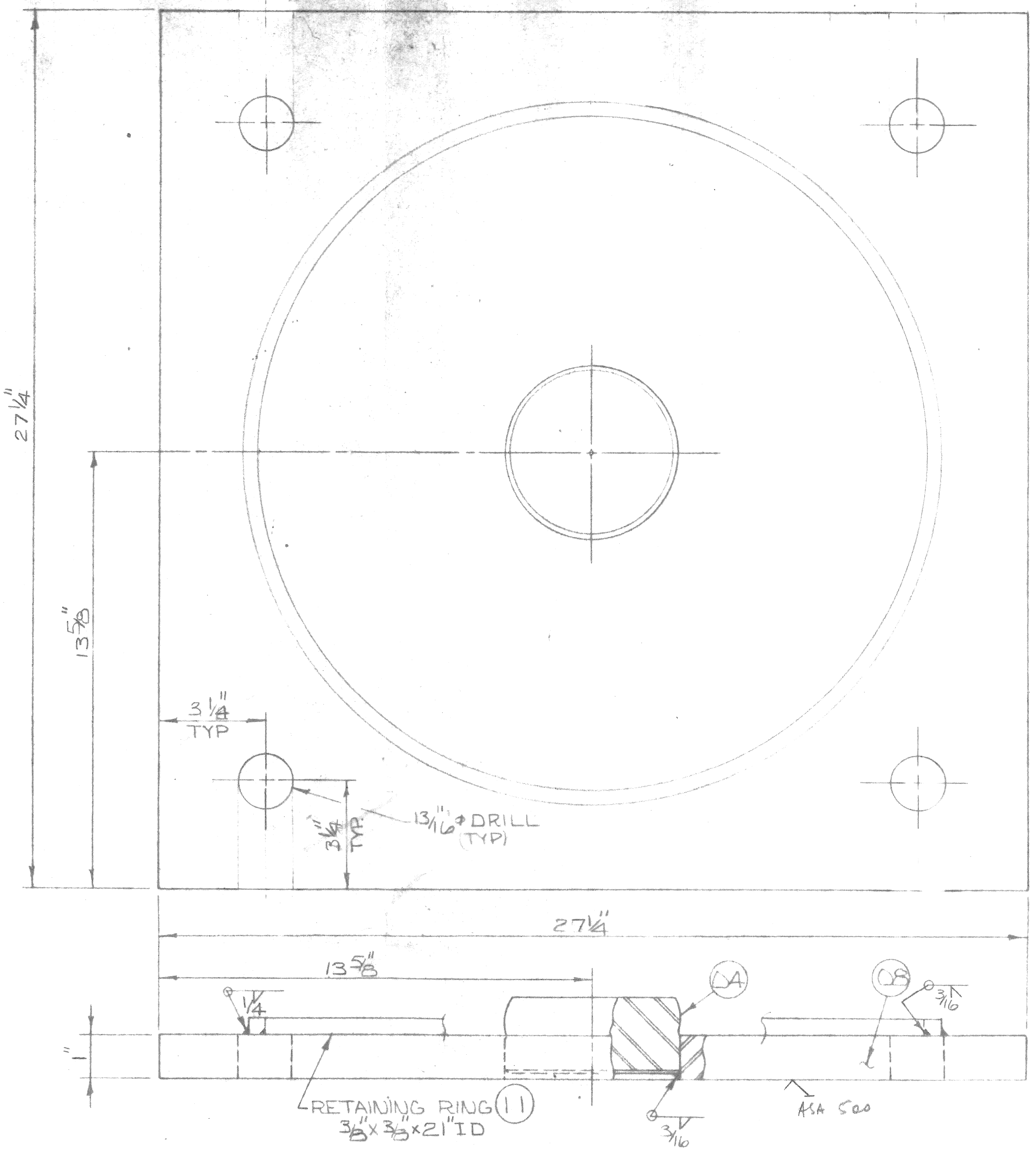
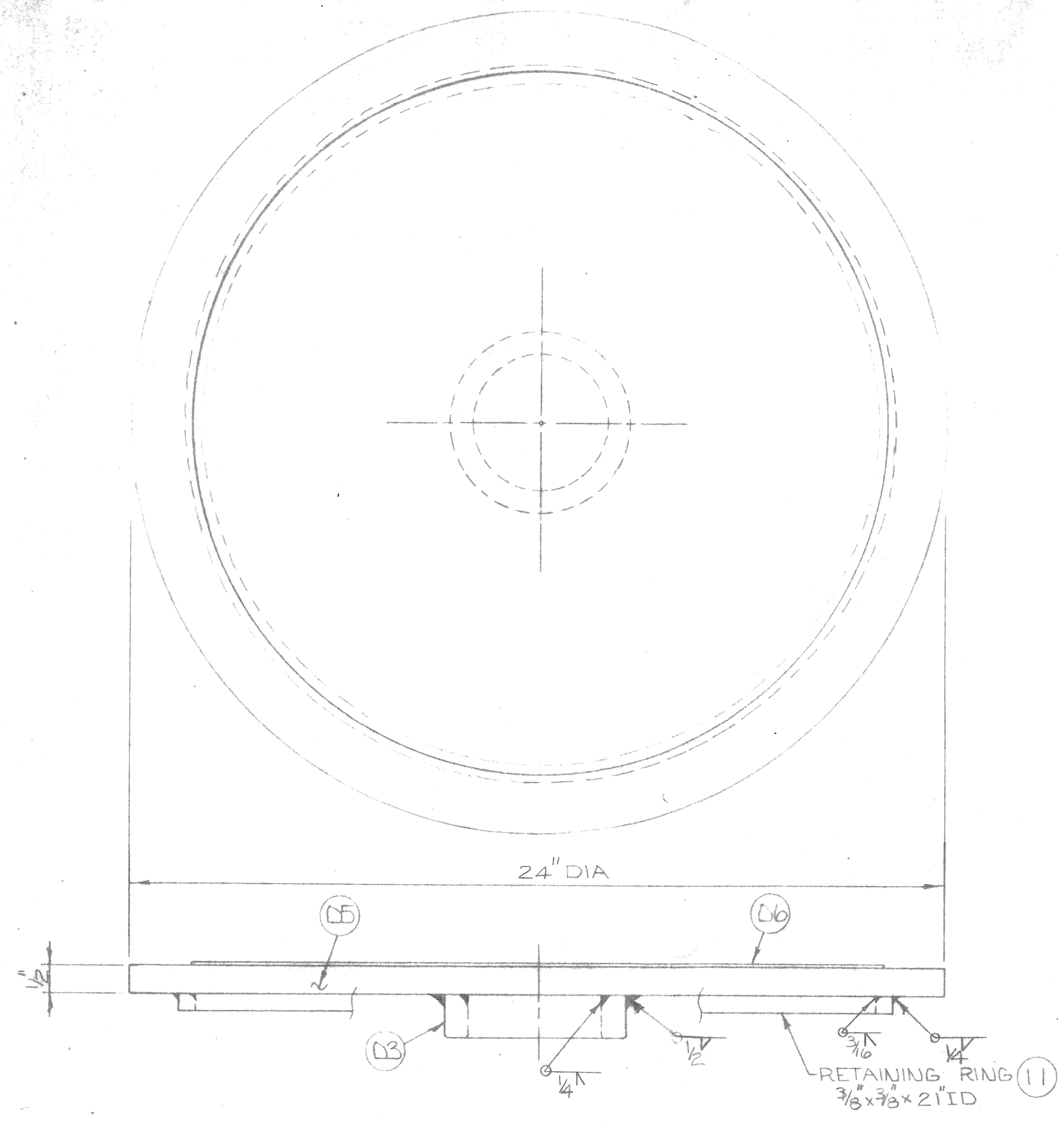
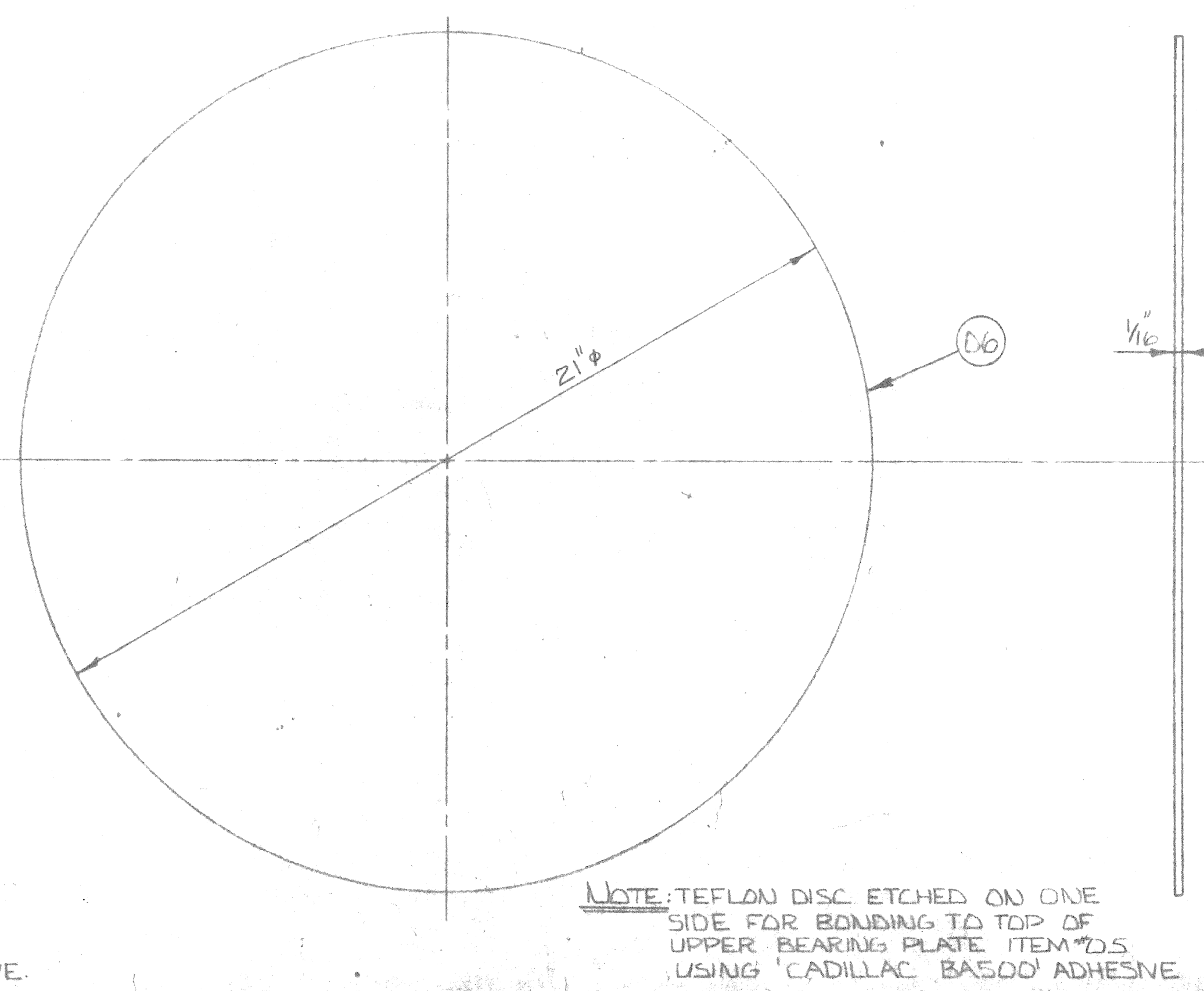


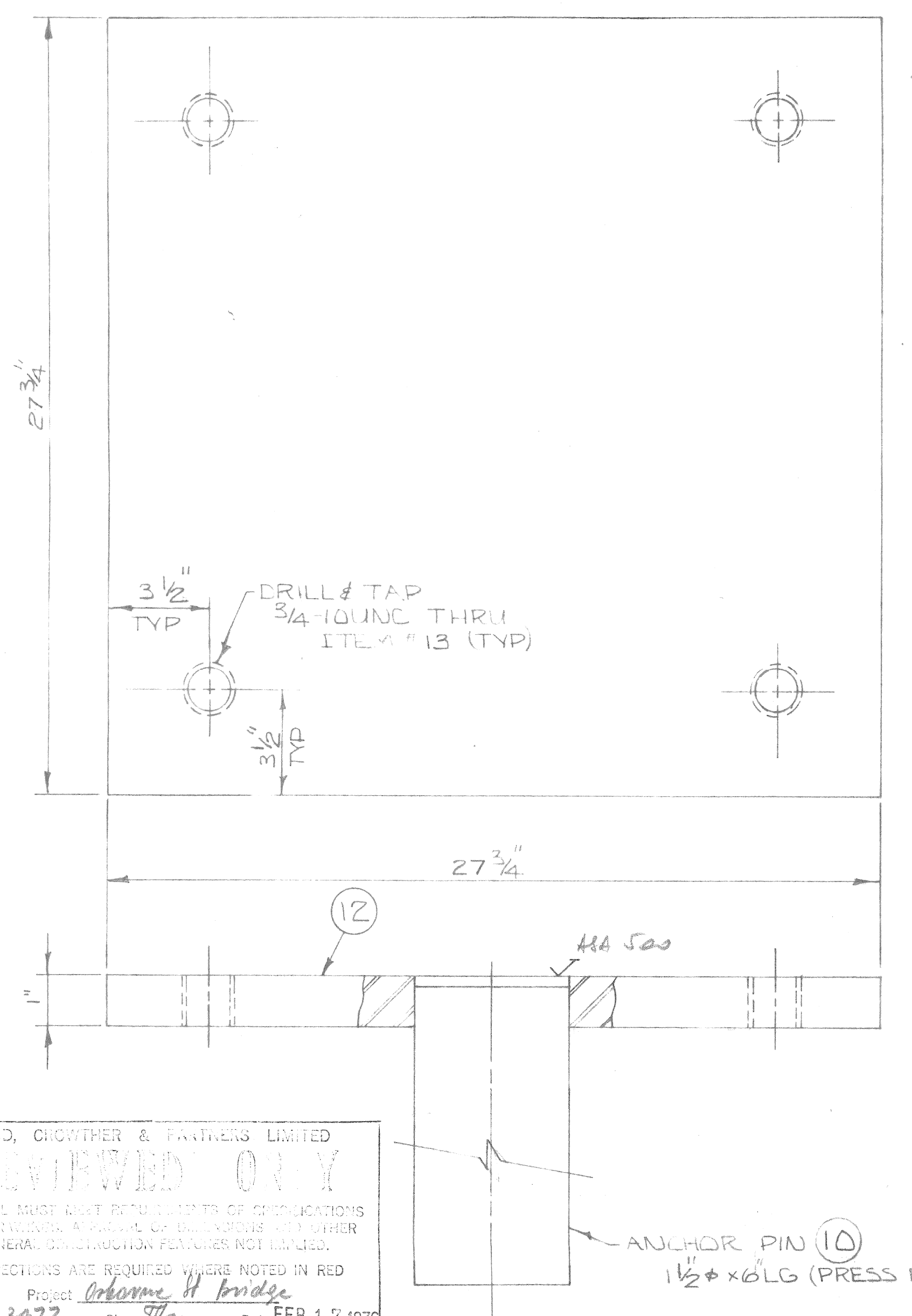
NO	ITEM	DESCRIPTION
B 01	UPPER PLATE	1" P x 30" x 30"
B 02	STAINLESS STEEL	.0375" THK x 30" x 30"
B 03	SHEAR RESTRICTION RING	4 3/4" x 1.24"
B 04	SHEAR RESTRICTION PIN	3 5/8" x 1.74"
B 05	UPPER BEARING PLATE	1/2" P x 24" x 24"
B 06	TEFLON DISC	1/16" THK x 21" x 21"
B 07	ERF 402 URTHANE ELEMENT	12 1/2" x 21" x 21"
B 08	LOWER BEARING PLATE	1" P x 27 3/4" x 27 3/4"
B 09		
B 10	CONCRETE ANCHOR	1 1/2" x 6" LG
B 11	RETAINING RING	3 1/8" x 3 1/8" x 21" ID
B 12	BASE PLATE	1" P x 27 3/4" x 27 3/4"
32 13	3/4" - 10 UNC x 2" LG BOLTS	# LOCK WASHER
32 14	BRACKETS	1/4" P x 2" x 4 1/4"



NOTE: ERF 402 URTHANE ELEMENT BONDED TO TOP OF LOWER BEARING PLATE ITEM #08 AND TO THE BOTTOM OF UPPER BEARING PLATE ITEM #05 USING 'CHEMLOR 305' ADHESIVE.



NOTE: TEFLON DISC ETCHED ON ONE SIDE FOR BONDING TO TOP OF UPPER BEARING PLATE ITEM #05 USING 'CADILLAC BASO0' ADHESIVE.



REID, CROWTHER & PARTNERS LIMITED
REVIEWED ONLY
 MATERIAL MUST MEET ALL SPECIFICATIONS AND DIMENSIONS APPROVED BY ELASTOMETAL LIMITED. GENERAL DIMENSIONAL TOLERANCES NOT LISTED. CORRECTIONS ARE REQUIRED WHERE NOTED IN RED.
 Project Osborne St Bridge
 Proj. No. 3077 Sig. Han Date FEB 17 1978

<p>— NOTE —</p> <p>INFORMATION AND KNOWHOW ON THIS DRAWING IS THE PROPERTY OF ELASTOMETAL LIMITED USE OR REPRODUCTIONS OF THIS DRAWING IS PROHIBITED WITHOUT WRITTEN PERMISSION</p>	DWG. NO.: E-670-1
	PROJECT: OSBORNE ST. BRIDGE
	ELASTOMETAL LIMITED
	DRAWN BY: EVAN TAYLOR PROJECT #62-71 DATE: JAN 13 1976 CHECKED BY: SHEET 3 OF 3 SCALE: NTS WARD-FYFE MULTIDIRECTIONAL 400 TON BRG.